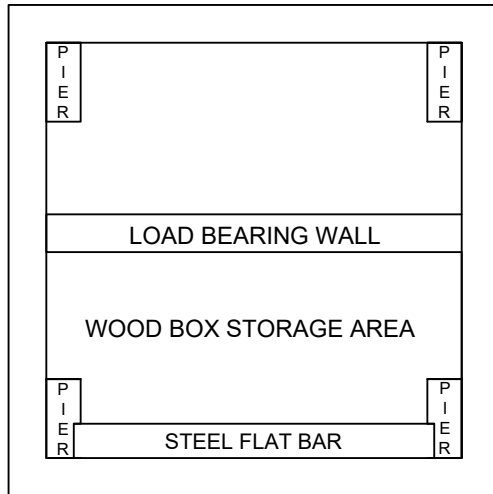
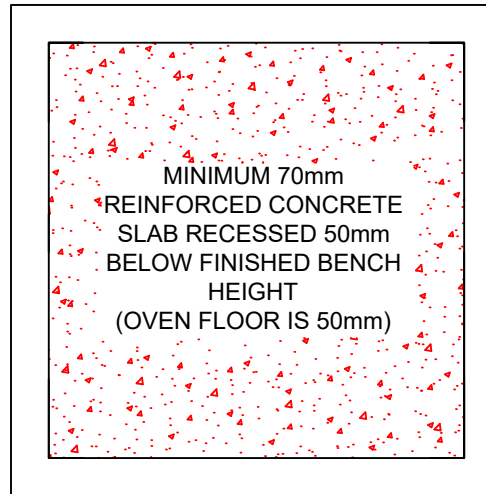


CONCRETE SLAB & BENCHTOP STEPS

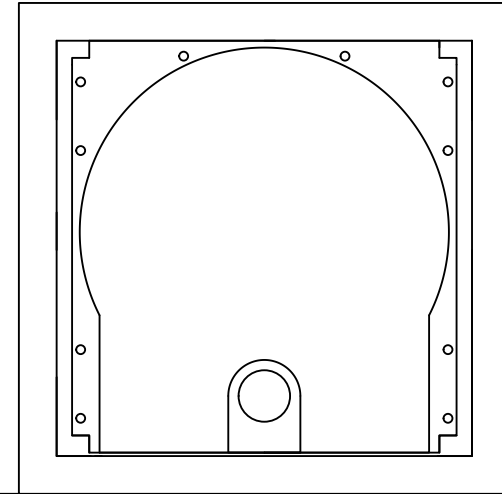
1. BUILD BASE (VIEW BASE PLAN AND SECTION VIEW FOR CORRECT OVEN)



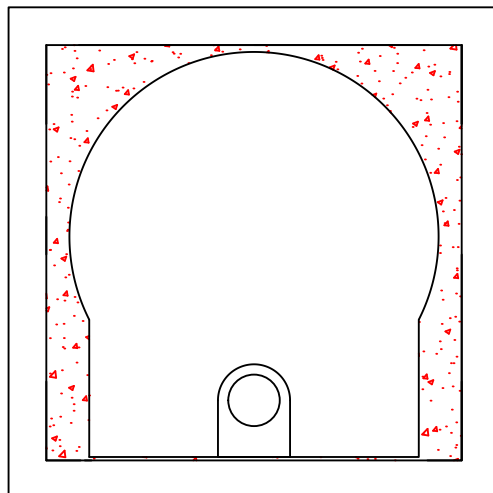
2. POUR CONCRETE SLAB WITHIN BASE STRUCTURE



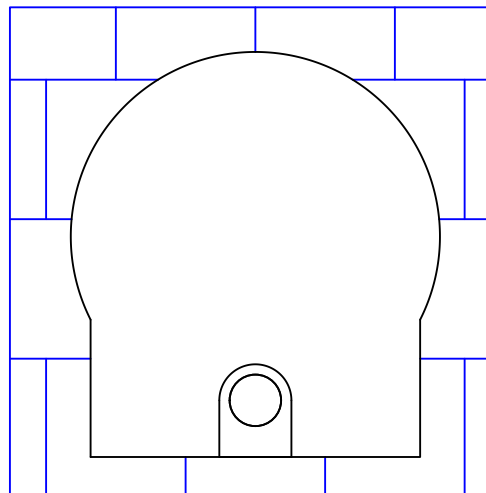
3. ASSEMBLE PIZZA OVEN



4. POUR CONCRETE AROUND OVEN LEVEL WITH BRICK WORK (IF THERE IS A RECESS)



5. INSTALL BENCH TOP LEVEL WITH OVEN COOKING FLOOR



NOTE:

ELITE'S RECESSED SLAB METHOD ALLOWS TO HIDE ALL LAYERS IN ORDER FOR THE BENCHTOP TO FINISH AT OVENS COOKING FLOOR HEIGHT. THIS ALSO WATERPROOFS AROUND THE PERIMETER OF THE OVEN

DO NOT USE:

1. ANYTHING COMBUSTABLE UNDERNEATH OVENS SLAB SUCH AS FORM PLY
2. SPANDEK OR STEEL SHEETING UNDER OVENS SLAB AS THIS CAN POOL WITH MOISTURE.
3. HEBEL / PRE-MADE SLAB THAT IS AIR-RATED, THIS HAS BEEN KNOWN TO CRACK FROM THE WEIGHT AND HEAT OF THE OVEN.